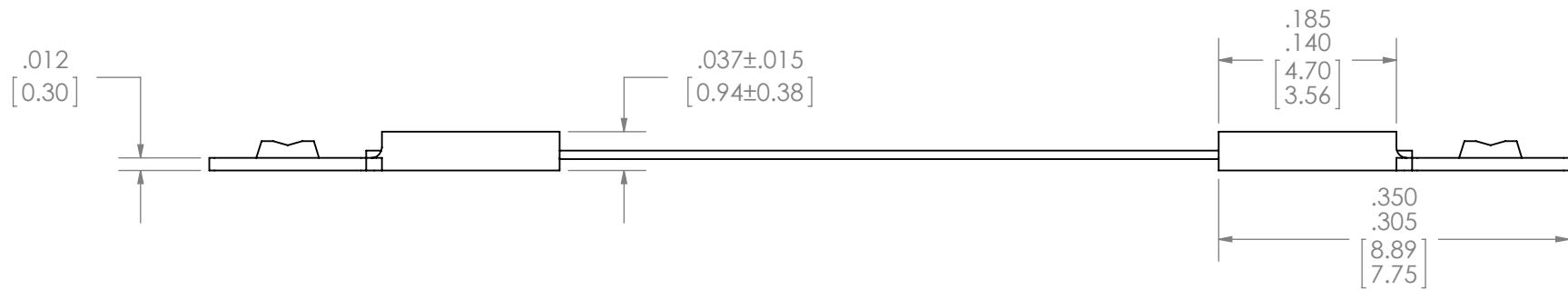
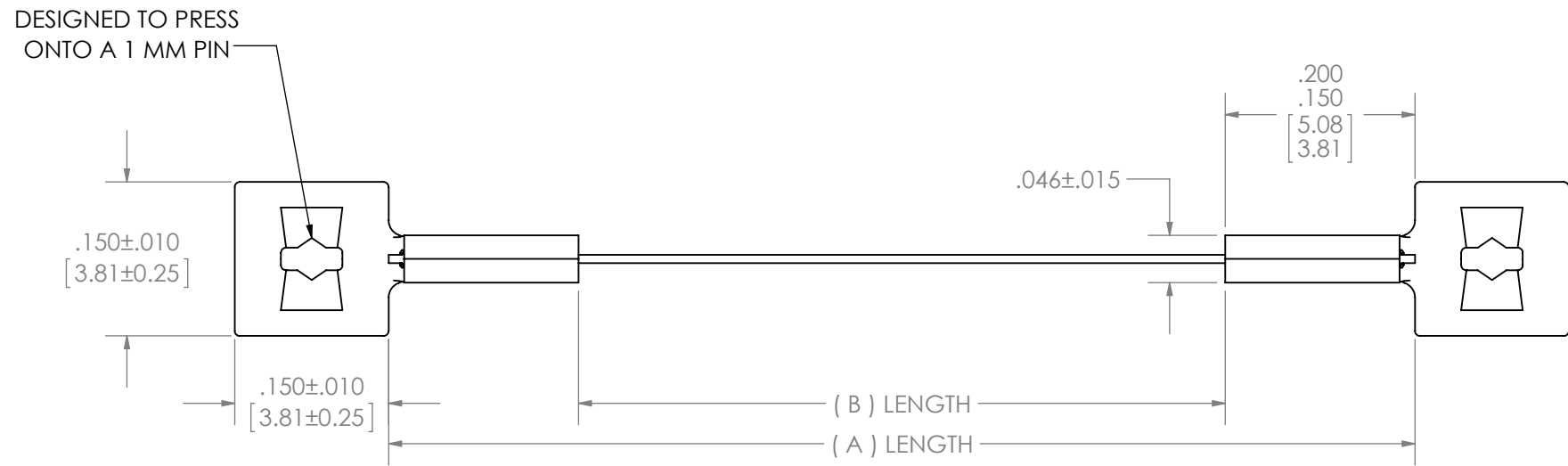
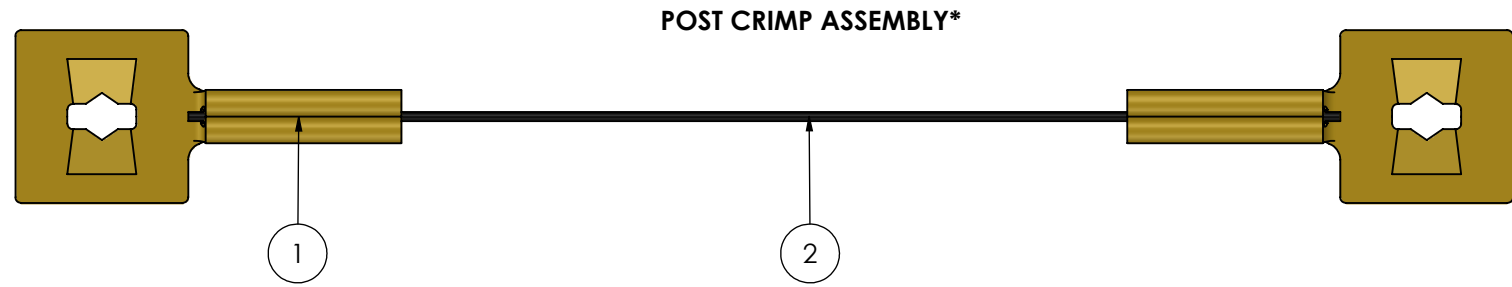


BOM Table			
ITEM NO.	PART NUMBER	DESCRIPTION	QTY.
1	4989	PRESS ON CRIMP	2
2	N/A	FLEXINOL® ACTUATOR WIRE	1



REFERENCE ONLY \*MAY CHANGE SLIGHTLY WITH DIFFERENT WIRE DIAMETERS  
 DOES NOT INCLUDE MINIMAL FLASH/DEFORMATIONS THAT ARE CREATED  
 DURING CRIMPING.

UNLESS OTHERWISE SPECIFIED DIMENSIONS ARE IN INCHES [MM] .X = ± .1 .XX = ± .01 .XXX = ± .005 .XXXX = ± .0005 ANGLES = ± 1°	THIRD ANGLE PROJECTION 	SCALE 6:1	<b>DYNALLOY, Inc.</b> PART NAME <b>PRESS ON CRIMP: CRIMPED ASSEMBLY</b>
	GD&T PER ASME Y14.5M-1994		
MATERIAL <b>BRASS</b>			PART NO. 4989
NOTICE OF CONFIDENTIAL INFORMATION <small>THIS DRAWING AND THE SUBJECT MATTER CONTAINED HEREIN ARE THE PROPERTY OF DYNALLOY INCORPORATED AND MAY NOT BE COPIED, REPRODUCED OR DISCLOSED TO OTHERS WITHOUT THE EXPRESS WRITTEN PERMISSION OF A DULY AUTHORIZED AGENT OF THE COMPANY. THIS DRAWING IS SUBJECT TO RECALL BY DYNALLOY INCORPORATED AT ANY TIME.</small>			SIZE B
			SHEET 1 OF 1