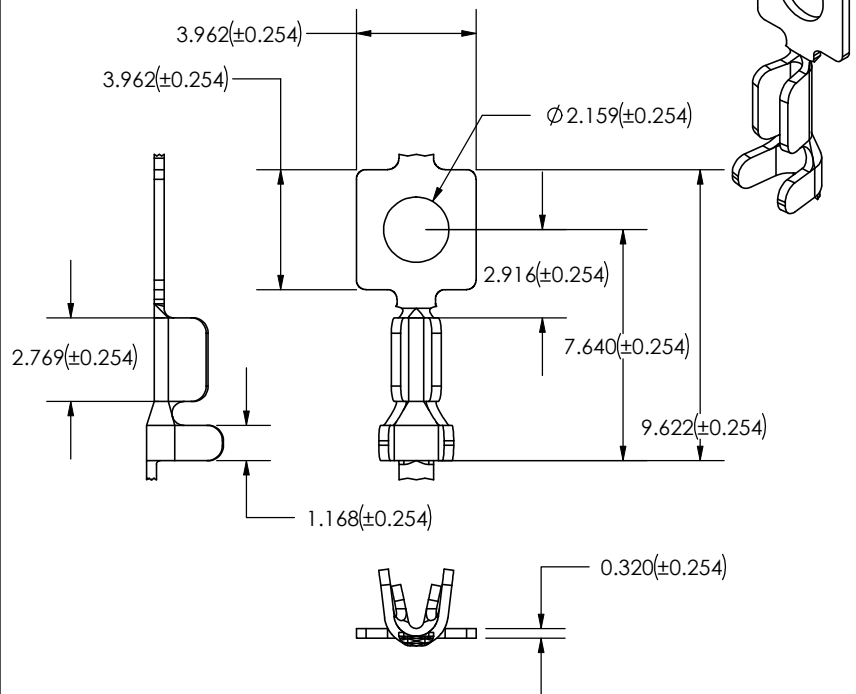
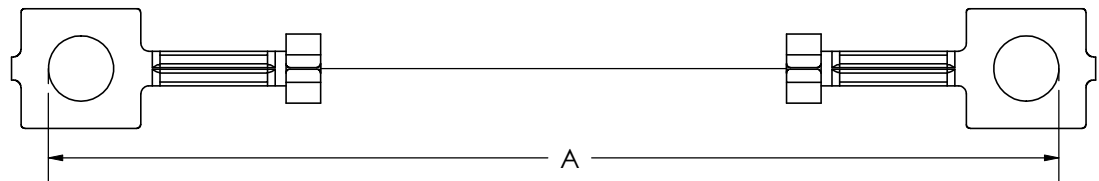
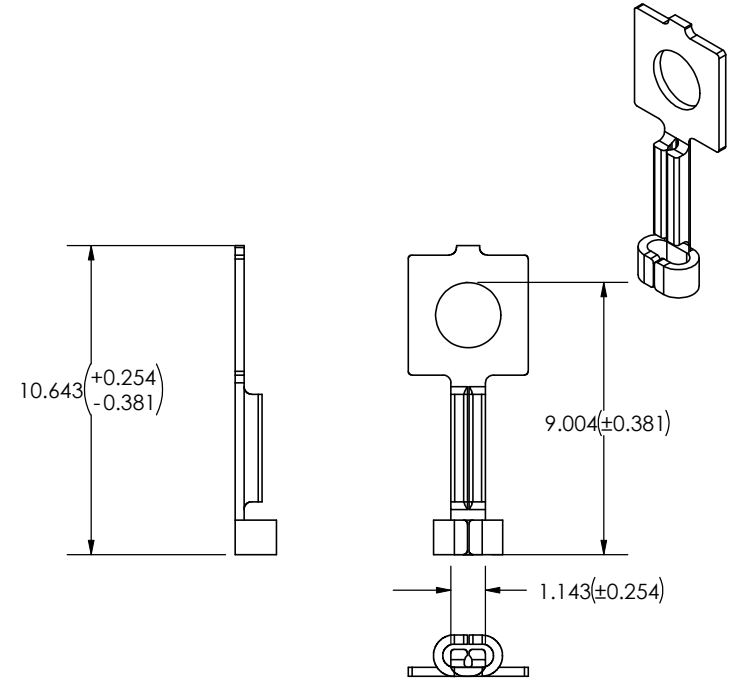


Before crimping



After crimping*



REFERENCE ONLY

*MAY CHANGE SLIGHTLY WITH DIFFERENT WIRE DIAMETERS
DOES NOT INCLUDE MINIMAL FLASH/DEFORMATIONS THAT ARE CREATED DURING CRIMPING



SCALE:	4:1
UNITS:	mm

PROPRIETARY
THE INFORMATION CONTAINED IN THIS DRAWING IS THE SOLE PROPERTY OF DYNALLOY Inc. ANY REPRODUCTION IN PART OR AS A WHOLE WITHOUT THE WRITTEN PERMISSION OF DYNALLOY Inc IS PROHIBITED.

TITLE:		Ring Terminal Crimp	
FORM:		705	
MATERIAL:	Brass	SHEET 1 OF 1	